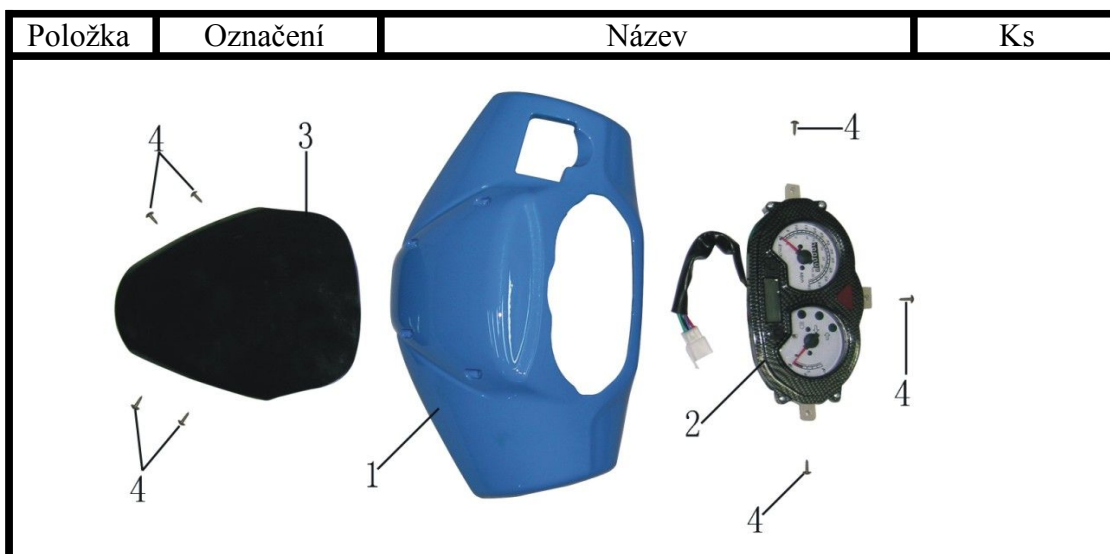
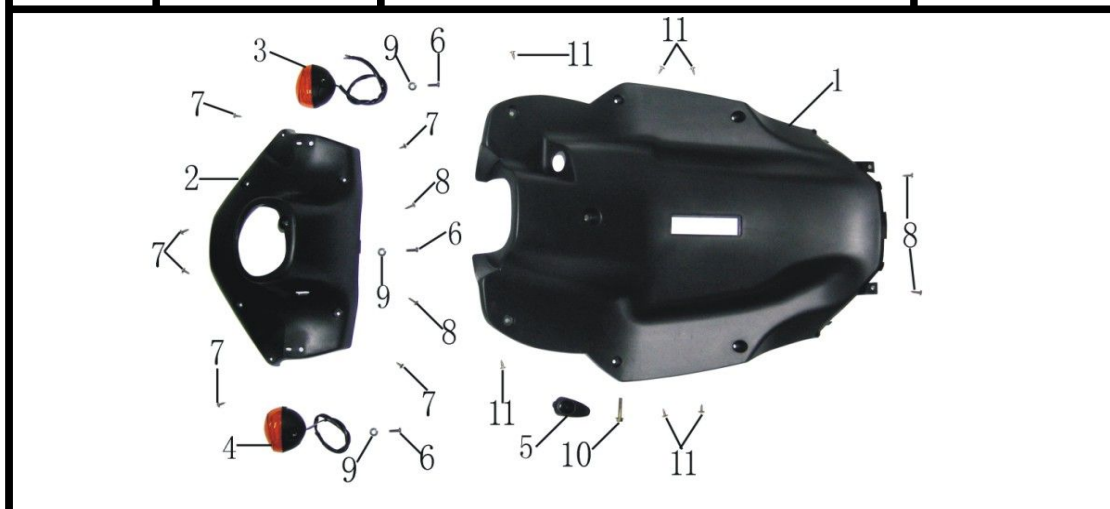


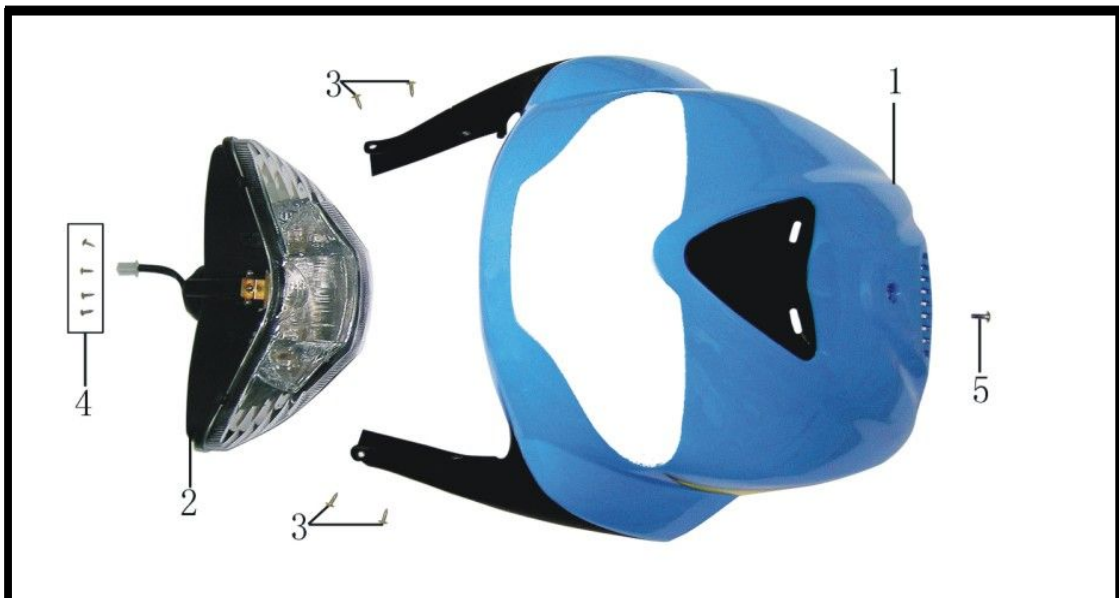
YY50QT-6 parts list



Položka	Označení	Název	Ks
1	50200001	Cover, speedometer	1
2	130100000	Speedometer	1
3	50200002	Windshield	1
4	5	Self-tapping screw	7



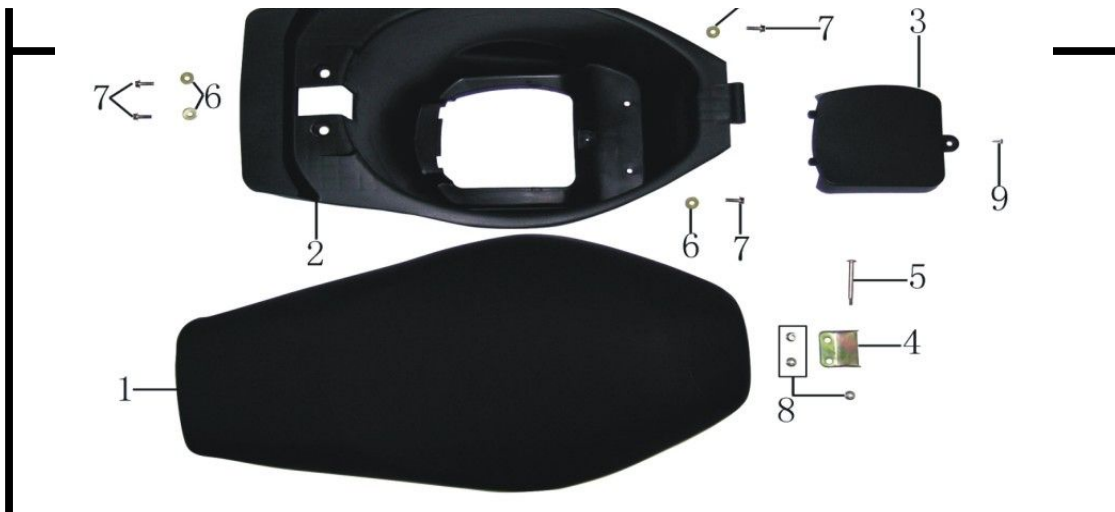
Položka	Označení	Název	Ks
1	70301001	Plastic cover	1
2	50200003	Cover, handlebar	1
3	120202000	Front turn signal, R	1
4	120201000	Front turn signal, L	1
5	70301002	Hook, helmet	1
6	66	Screw M5×16	3
7	3	Self-tapping screw ST4.2×12	6
8	4	Self-tapping screw ST4.2×16	4
9	59	Washer	3
10	71	Hexagon bolt M6×32	1
11	5	Self-tapping screw ST4.8×12	6



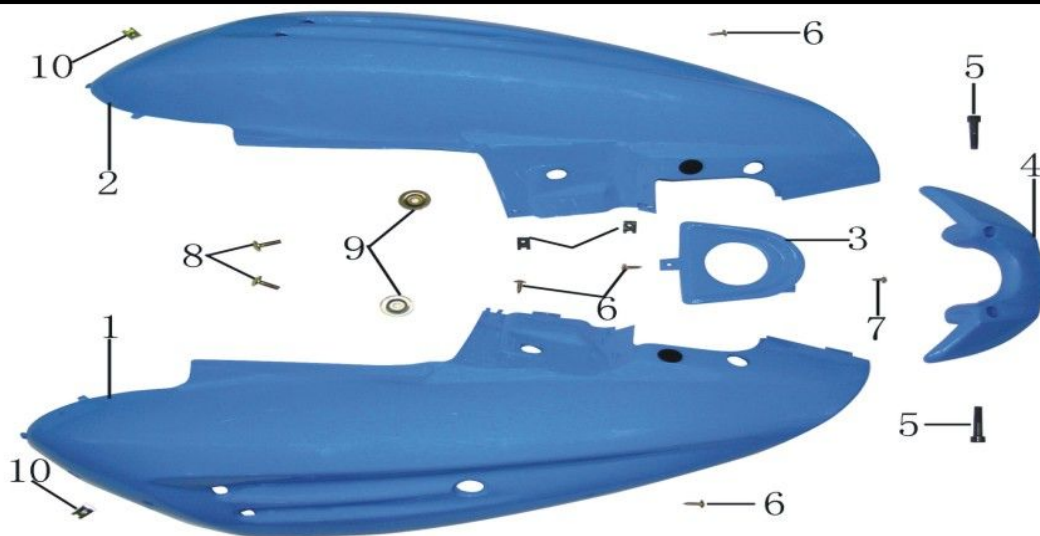
Položka	Označení	Název	Ks
1	70100001	Front cover	1
2	120100001	Headlight	1
3	6	Self-tapping screw ST4.8×16	4
4	3	Self-tapping screw ST4.2×12	4
5	47	Screw M6×16	1



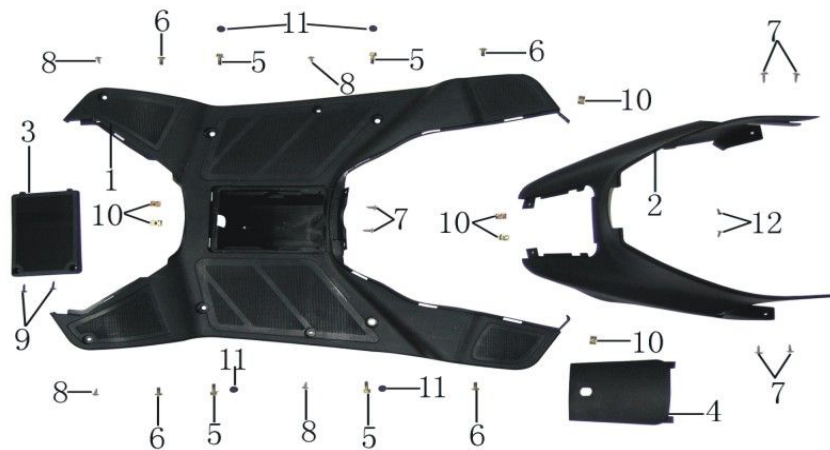
Položka	Označení	Název	Ks
1	50100000	Handlebar	1
2	160100000	Rear mirror, L	1
3	160100000	Rear mirror, R	1
4	130201000	Left switch	1
5	130202000	Right switch	1
6	50301000	Right grip	1
7	50302000	Left grip	1
8	66	Screw M5×8	1
9	23	Hexagon bolt M10×45	1
10	32	Hexagon nut M10	1



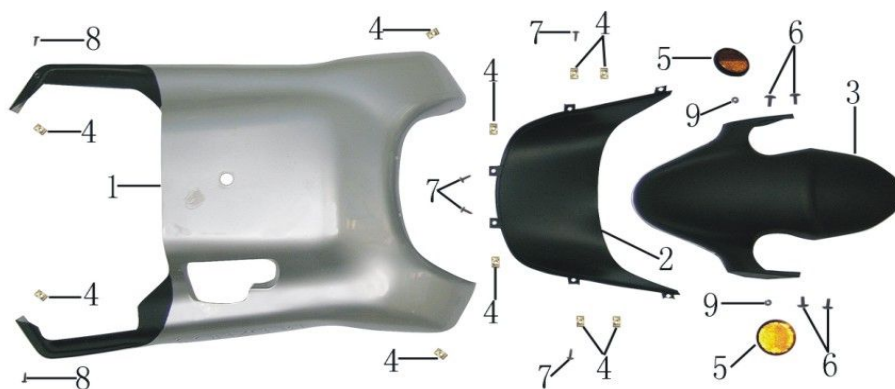
Položka	Označení	Název	Ks
1	110100000	Cushion	1
2	110200001	Luggage box	1
3	110200002	Inner cover, luggage box	1
4	110200003	Seat rocker	1
5	110200004	Rocker arm	1
6	55	Washer 6.2×18	4
7	11	Hexagon bolt M6×16	4
8	28	Hexagon nut M6	3
9	1	Self-tapping screw ST3.8×12	1



Položka	Označení	Název	Ks
1	70401001	Left protecting plate	1
2	70401002	Right protecting plate	1
3	70402001	Center cover	1
4	170403001	handrail	1
5	59	Inner hexagon bolt M8×40	2
6	6	Self-tapping screw ST4.8×16	4
7	3	Self-tapping screw ST4.2×12	1
8	56	Screw M6×20	2
9	61	Bushing 6.2×28	2
10	45	ClipΦ4.2	4



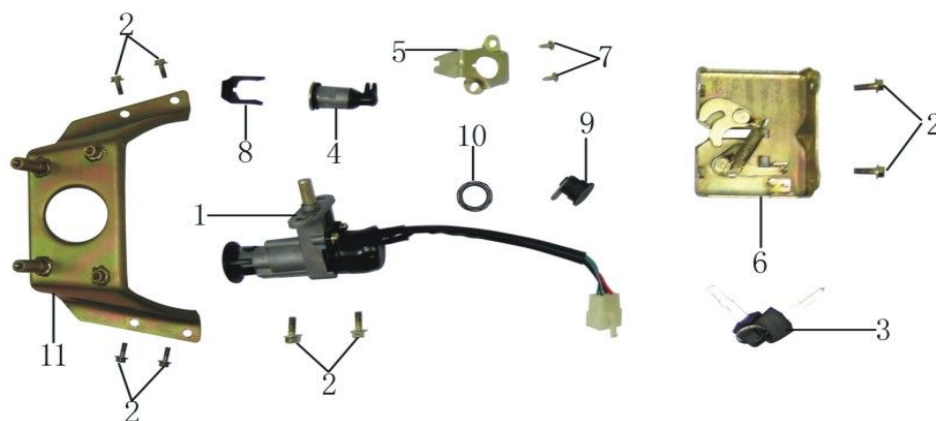
Položka	Označení	Název	Ks
1	70302001	Footboard	1
2	70302002	Front surround	1
3	70302003	Cover, battery	1
4	70302004	Plastic cover	1
5	14	Hexagon bolt M6×16	4
6	46	Screw 6×12	4
7	6	Self-tapping screw ST4.8×16	6
8	5	Self-tapping screw ST4.8×12	4
9	4	Self-tapping screw ST4.2×16	2
10	160000001	Rubber coverΦ9	4
11	45	ClipΦ4.2	6
12	3	Self-tapping screw ST4.2×12	2



Položka	Označení	Název	Ks
1	70201001	Frame fender	1
2	70202001	Front fender	1
3	70203001	Front wheel fender	1
4	45	ClipΦ4.2	8
5	120301000	Side reflector	2
6	55	Screw M6×16	4
7	6	Self-tapping screw ST4.8×16	4
8	4	Self-tapping screw ST4.2×16	2
9	27	Hexagon nut M5	2

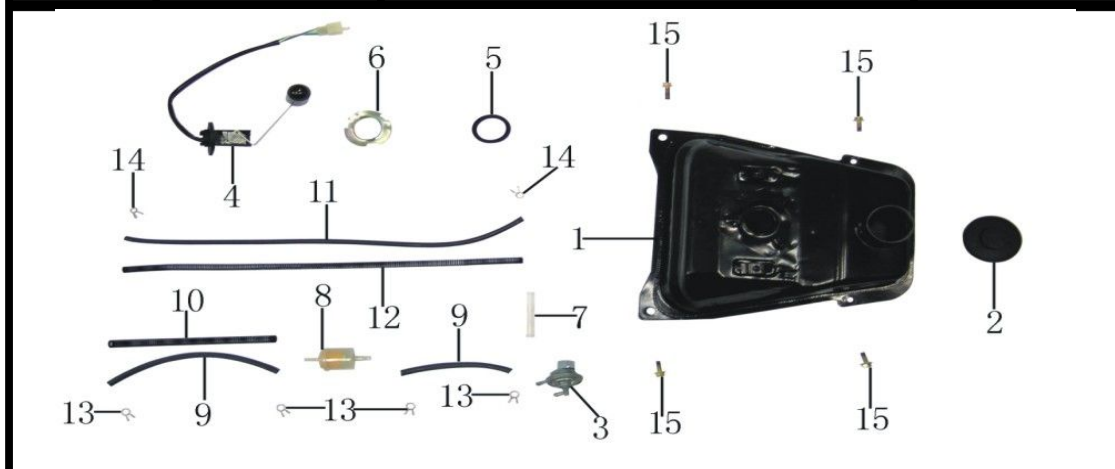


Položka	Označení	Název	Ks
1	120200000	Tail lights, assy.	1
2	70204001	Rear fender	1
3	120501000	Rear turn signal, L	1
4	120502000	Rear turn signal, R	1
5	45	ClipΦ4.2	2
6	28	Hexagon nut M6	3
7	44	Hexagon nut M10	2
8	78	Washer 10.2×22	2
9	79	Washer 6.2×18	3
10	70205001	Rear wheel fender	1
11	70205002	Bracket, rear fender	1
12	70205003	Rear rubber fender	1
13	88	Clip M5	2
14	76	Screw M5×12	2
15	9	Hexagon bolt M6×12	1

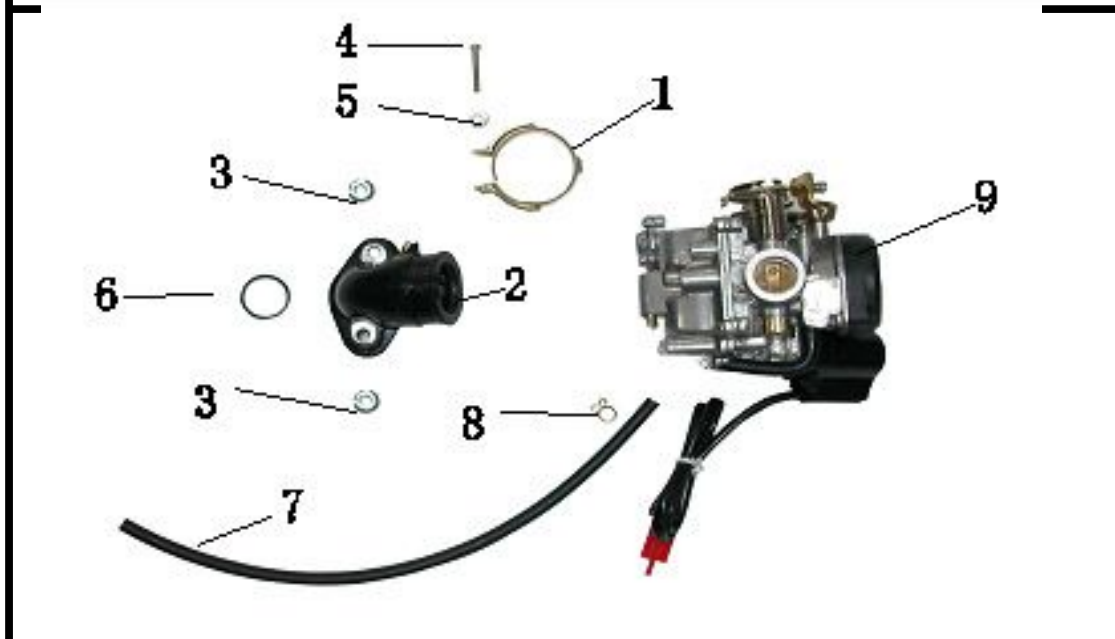


Položka	Označení	Název	Ks
1	60201000	Ignition lock	1
2	11	Hexagon bolt M6×16	4
3	60200001	Key	1
4	60202000	Seat lock	1
5	20500001	Bracket, seat lock	1
6	20500002	Board, seat lock	1
7	3	Self-tapping screw ST4.2×12	2

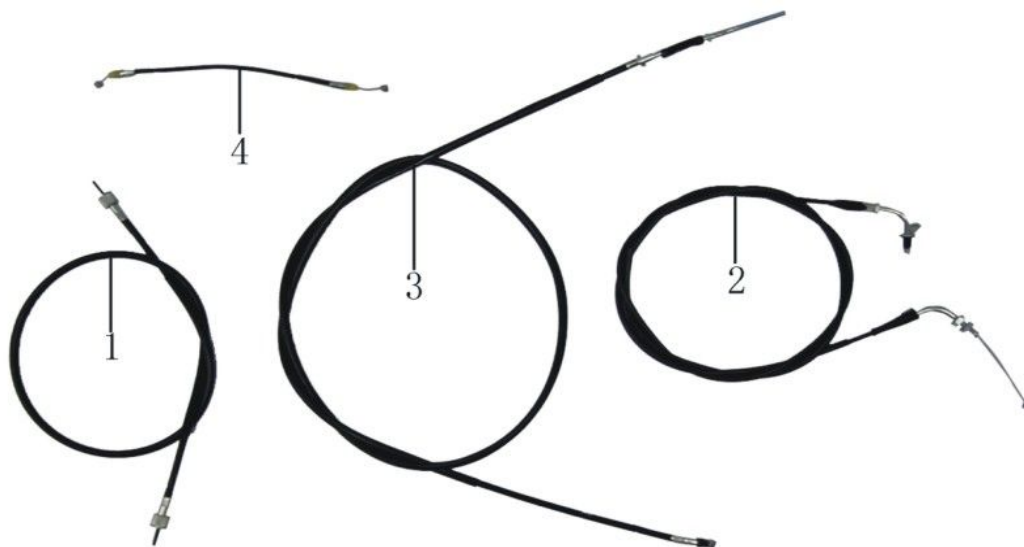
8	60202001	Clamper, seat lock	1
9	60203001	Lock, maintain cover	1
10	69	Hexagon nut M20	1
11	20600001	Cover, fuel tank	1



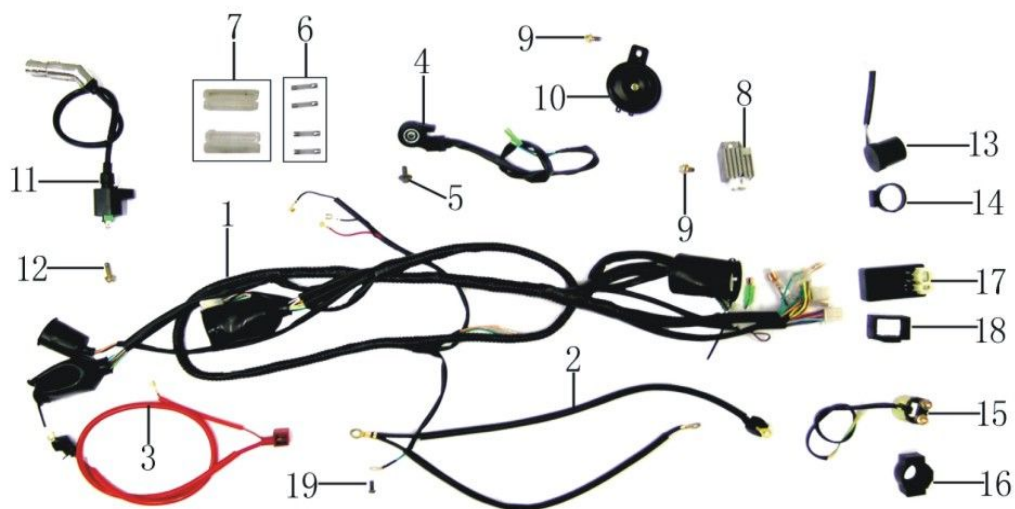
Položka	Označení	Název	Ks
1	100101000	Fuel tank	1
2	100102000	Cap, fuel tank	1
3	100103000	Fuel petcock	1
4	100104000	Fuel sensor unit	1
5	100100001	Bushing	1
6	100100002	Washer, sensor unit	1
7	100000001	Filter net	1
8	100106000	Oil filter	1
9	100000002	Oil tube	2
10	100000003	Spring cover	2
11	100000004	Gas hose	1
12	100000005	Spring cover, hose	1
13	100000006	Clip	4
14	100000007	Clip	2
15	11	Hexagon bolt M6x16	4



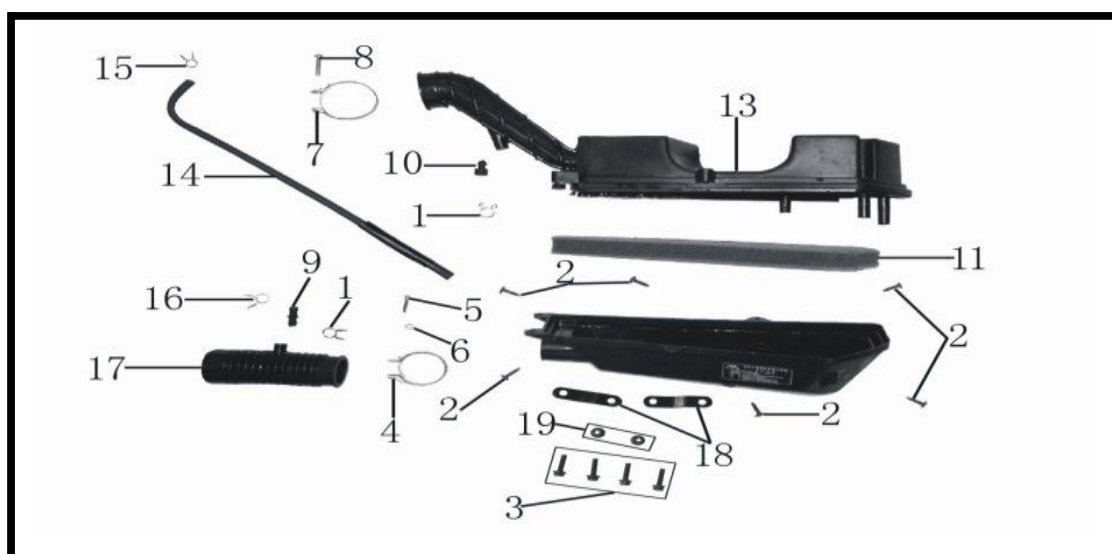
Položka	Označení	Název	Ks
1	30501000	Air refill valve	1
2	30502000	Air filter	1
3	30500001	Tube	2
4	30500002	Tube	1
5	30503000	Tube	1
6	30504000	Clamper	4
7	81	Hexagon bolt M6×30	2
8	30500003	Gas hose	2
9	30500004	Spring cover	1
10	30500005	Tube join	1
11	30500006	Clamper	3



Položka	Označení	Název	Ks
1	40300000	Speedometer cable	1
2	50600000	Accelerograph cable	1
3	50500000	Brake cable	1
4	110301000	Seat lock cable	1

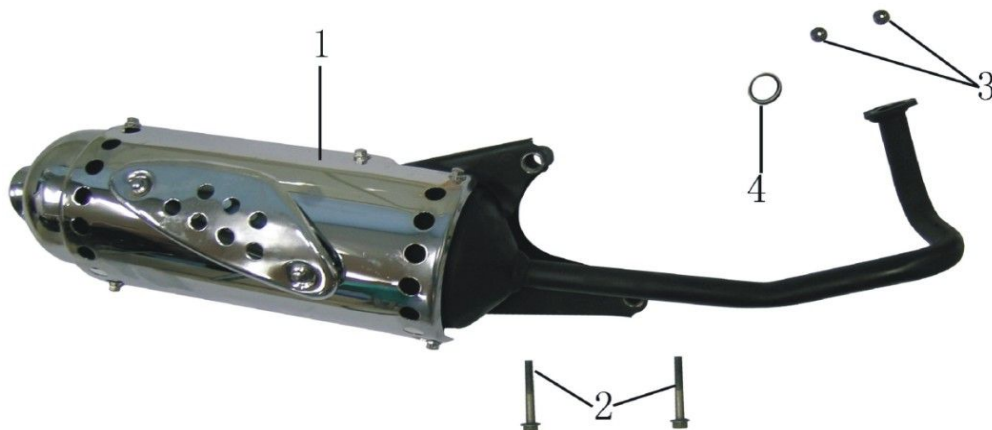


Položka	Označení	Název	Ks
1	60100000	Wire assy.	1
2	60101000	Cathode wire	1
3	60102000	Anode wire	1
4	60200000	Flameout switch	1
5	11	Hexagon bolt M6×16	1
6	60100001	Fuse	4
7	60100002	Fuse box	2
8	60300000	Regulator	1
9	9	Hexagon bolt M6×12	2
10	60400000	Horn	1
11	60500000	High voltage wire	1
12	12	Hexagon bolt M6×20	1
13	60600000	Flasher	1
14	60600001	Cover, flasher	1
15	60700000	Relay assy.	1
16	60700001	Cover, relay	1
17	60800000	CDI assy.	1
18	60800001	Cover, CDI	1
19	49	Screw	1

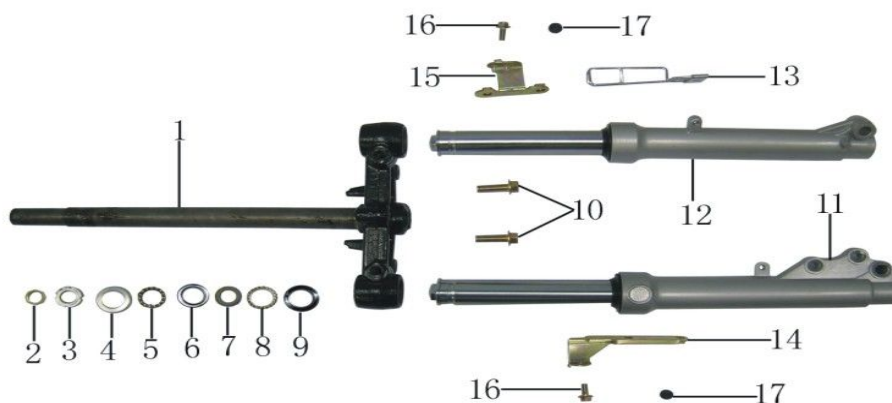


Položka	Označení	Název	Ks
1	31400001	Clip	2
2	6	Self-tapping screw	6
3	82	Hexagon bolt M6×25	4
4	31400002	Clamper	1
5	83	Bolt	1
6	84	Washer	1
7	31400003	Clamper	1
8	53	Bolt M5×25	1
9	31400004	Tie-in	1
10	31400005	Rubber block	1
11	31400006	Sponge filter element	1
12	31400007	Upper cover, filter	1

13	31400008	Under cover, filter	1
14	31400009	Tube	1
15	31400010	ClipΦ9	1
16	31400011	ClipΦ10	1
17	31400012	Air sucker	1
18	31400013	Bracket, filter	2
19	28	Hexagon nut M6	2



Položka	Označení	Název	Ks
1	34000000	Muffler	1
2	18	Hexagon bolt M8×35	2
3	28	Hexagon nut M6	2
4	34000001	Washer	1



Položka	Označení	Název	Ks
1	90100000	Steering column	1
2	90400001	Tight nut	1
3	90400002	Lock nut	1
4	90400003	Upwards protruding bearing	1
5	90400004	Ball bearing ř4	1
6	90400005	Upwards concave bearing	1
7	90400006	Downwards concave bearing	1
8	90400007	Ball bearing ř6.3	1
9	90400008	Downwards protruding bearing	1
10	22	Hexagon bolt M10×30	2
11	90202000	Front shock absorber, R	1

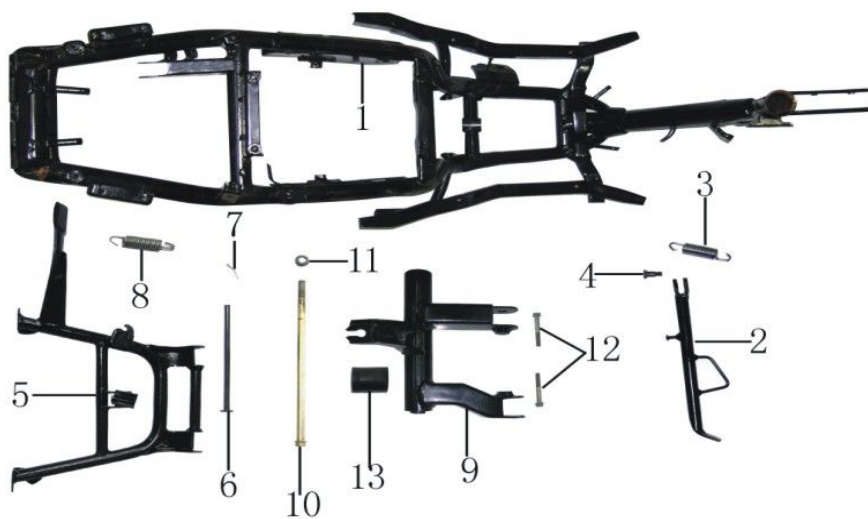
12	90201000	Front shock absorber, L	1
13	90000001	Clamper	1
14	90000002	Left bracket, fender	1
15	90000003	Right bracket, fender	1
16	11	Hexagon bolt M6×16	2
17	160000001	Rubber coverΦ9	2



Položka	Označení	Název	Ks
1	10	Front tyre	1
2	40100000	Front wheel	1
3	40200000	Disk control	1
4	40000001	Disk	1
5	401010001	Valve stem	1
6	40000004	Screw	3
7	29	Hexagon but M8	3
8	40300000	Odometer transmission assy.	1
9	85	Bushing12.2×20×21.5	1
10	86	Axle M12×220	1
11	33	Hexagon nut M12	1
12	17	Hexagon bolt M8×32	2
13	160000002	Rubber coverΦ11	2
14	160000003	Rubber coverΦ13	1
15	160000004	Rubber coverΦ16	1



Položka	Označení	Název	Ks
1	20	Rear tyre	1
2	150100000	Rear wheel	1
3	150201000	Brake hoof	1
4	150200001	Rocker shaft	1
5	150200002	Rocker arm	1
6	71	Hexagon bolt M6×32	1
7	35	Hexagon nut M16	1
8	150000001	Adjusting nut	1
9	150000002	Orientation pin	1
10	150000003	Spring	1
11	140100000	Rear shock absorber	1
12	23	Hexagon bolt M10×40	1
13	17	Hexagon bolt M8×32	1



Položka	Označení	Název	Ks
1	10000000	Vehicle frame	1
2	20201000	Side stand	1
3	20200001	Spring	1
4	20200002	Bolt	1
5	20100000	Center stand	1
6	20100001	Shaft	1
7	20100002	Pin, center stand	1
8	20100003	Spring	1
9	20300000	Suspender	1
10	87	Shaft M10×350	1
11	32	Hexagon nut M10	1
12	21	Hexagon bolt M10×42	1
13	20300001	Buffer, suspender	1